

**Before you begin** - This unit is supplied with seven (7) ceramic fiber logs. Do not handle these logs with your bare hands. **Always wear gloves to prevent skin irritation from ceramic fibers.** After handling the logs, wash your hands gently with soap and water to remove any traces of fibers.

**WARNING**

The positioning of the logs is critical to the safe and clean operation of this heater. Sooting and other problems may result if the logs are not properly and firmly positioned in the appliance. Never add additional logs or embellishments such as pine cones or vermiculite to the heater. Only use the logs supplied with the unit.

Failure to position the parts in accordance with diagrams below or to use only parts specifically approved for this heater may result in property damage or personal injury.

**INSTALLING LOGS AND ROCK WOOL (EMBER MATERIAL) IN FIREBOX**

1. Open front door of firebox.
2. Break up rock wool (ember material) into dime-sized pieces. Place evenly as shown. Do not exceed 1" layer. Refer to Figure 18

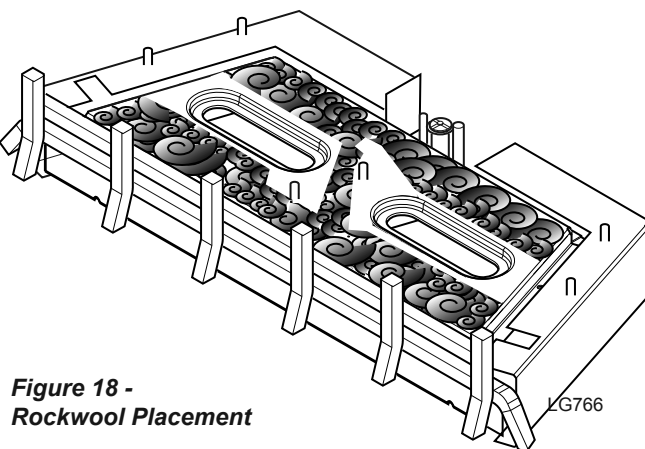
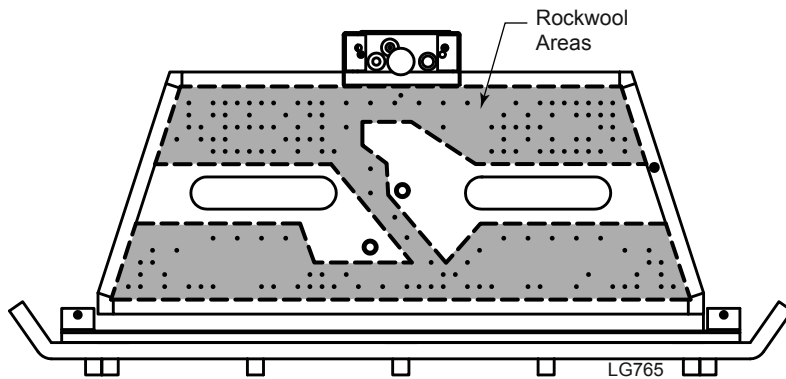


Figure 18 - Rockwool Placement

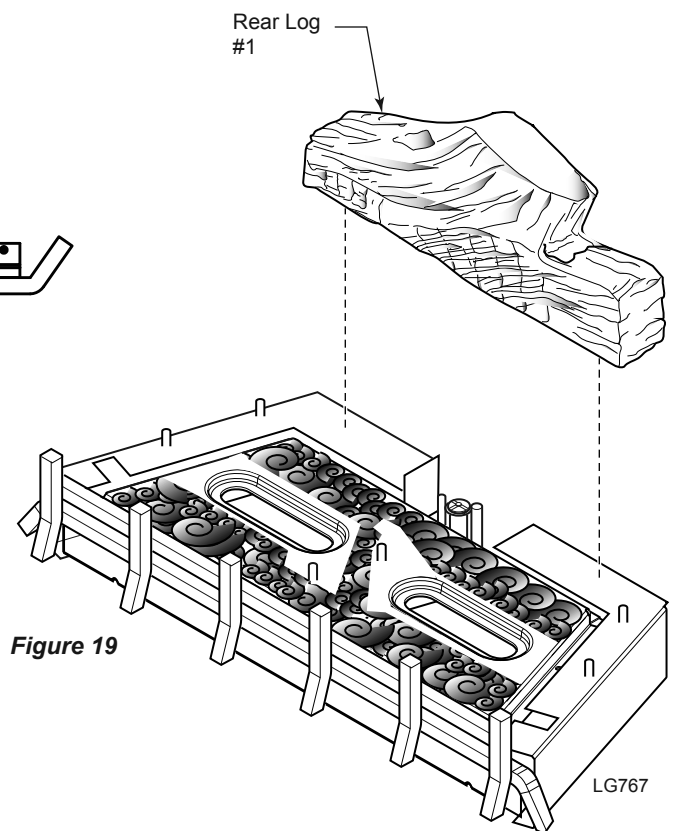


Figure 19

3. Carefully remove the seven (7) logs from wrapping.
4. Place rear log #1 against back of firebox. Figure 20

- Align holes in the bottom of the left base log #2 with two (2) pins on the left side of insert. Install left base log. *Figure 20*

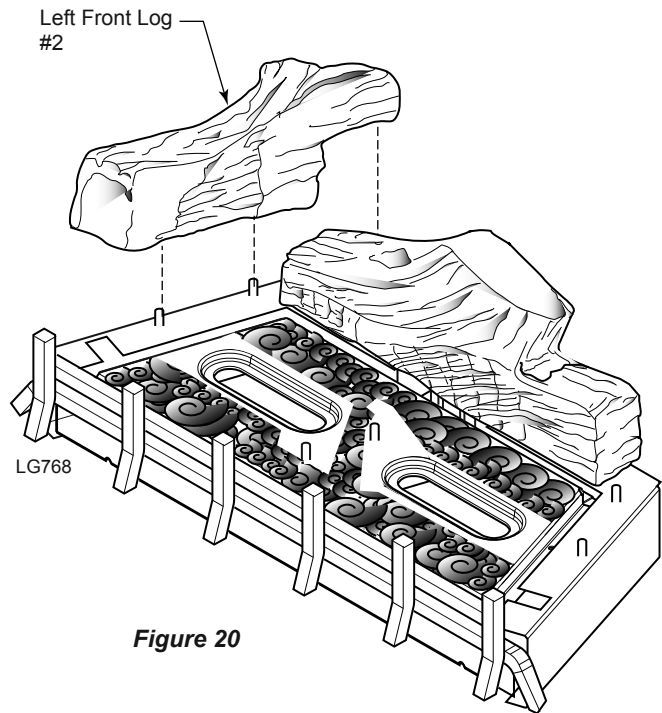


Figure 20

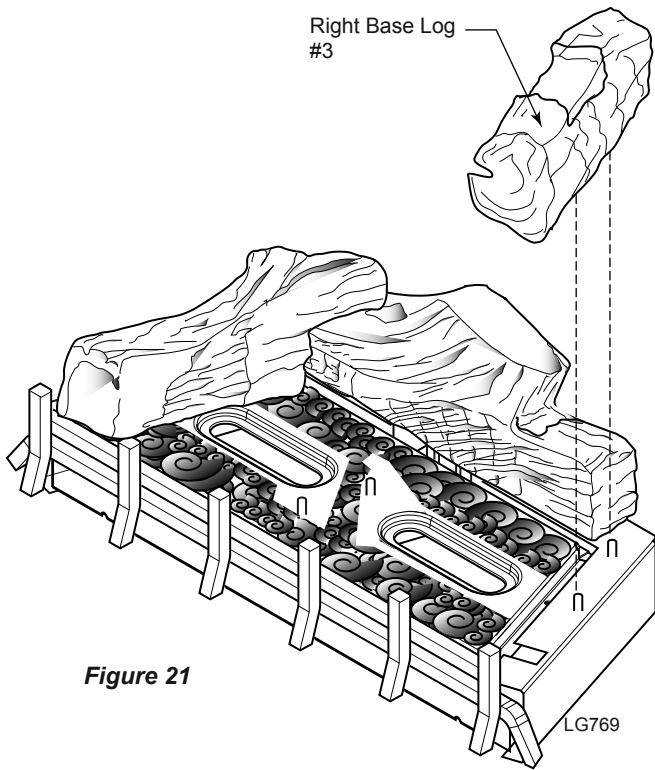


Figure 21

- Align holes in bottom of right base log #3 with two (2) to the right of rear log. *Figure 21*
- Align hole in bottom left center log #4 with pin on burner. *Figure 22*

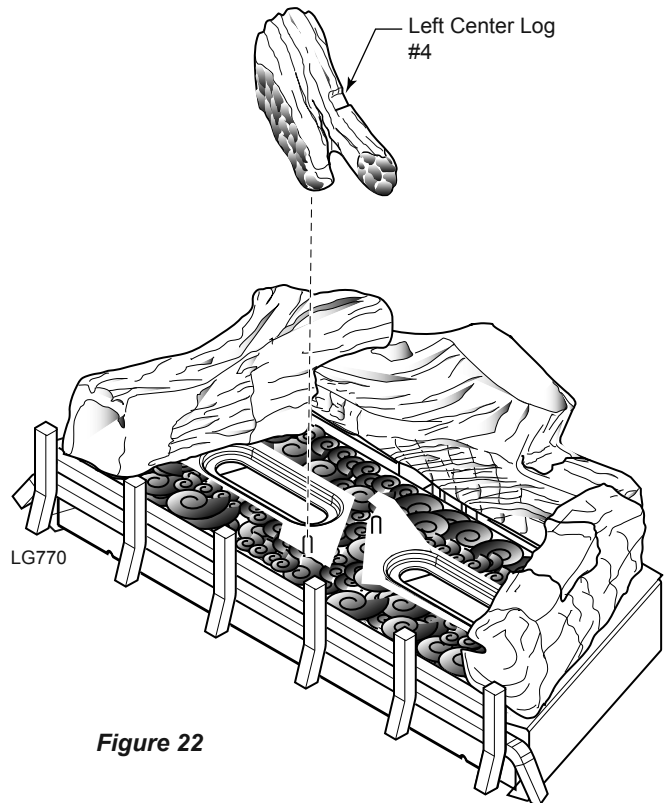
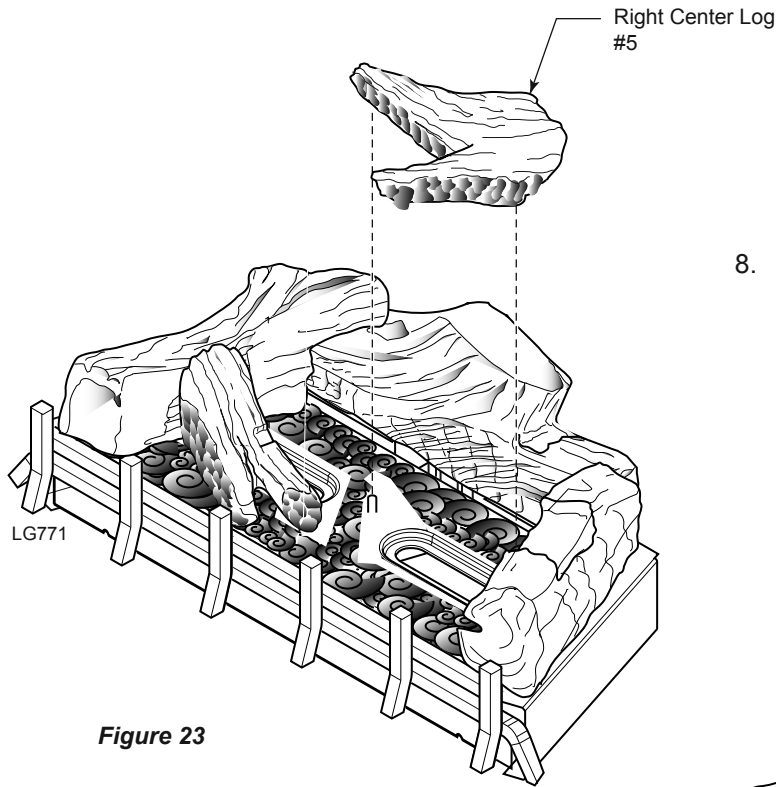
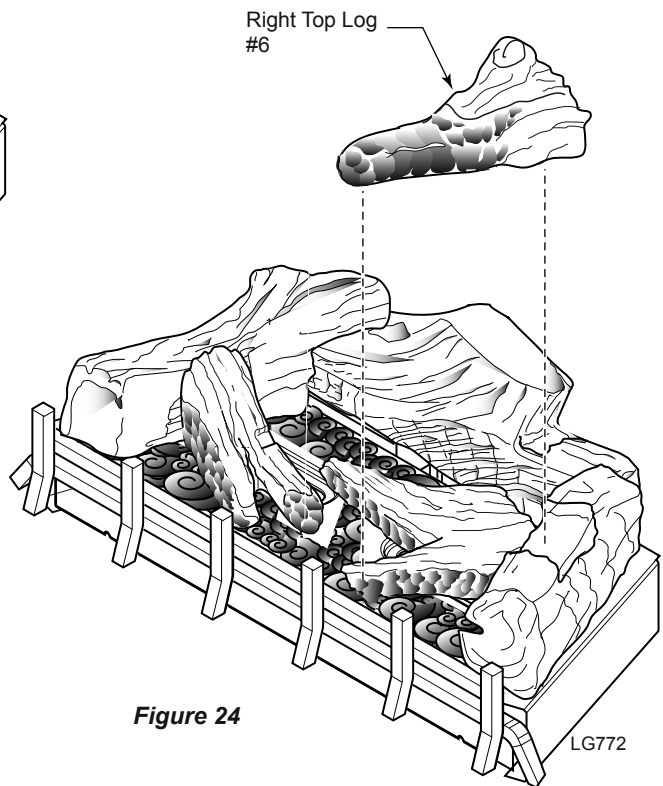


Figure 22



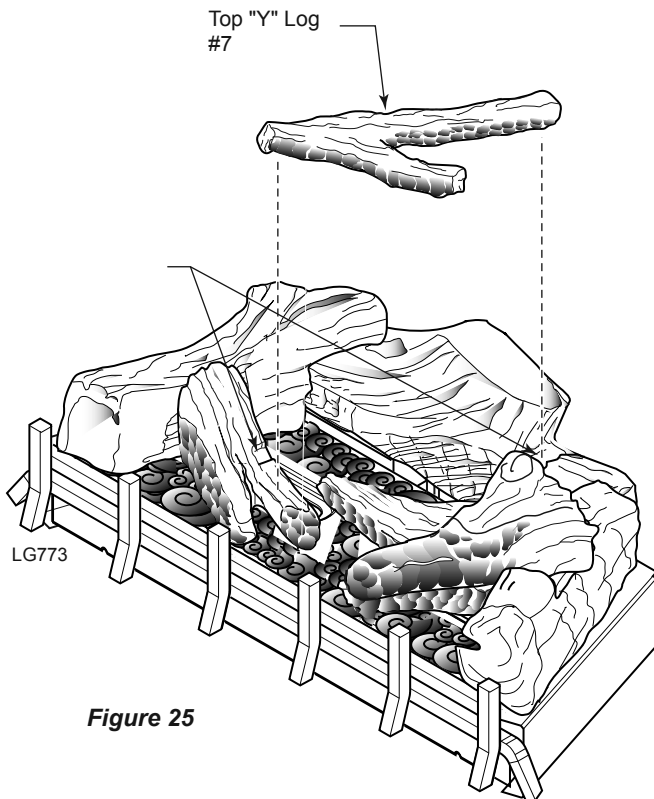
**Figure 23**

8. Set right center log #5 on center pin to the left of right base log. *Figure 23*



**Figure 24**

9. Place one end of right top log #6 on cutout of right base log. Align opposite end on right center log. *Figure 24*
10. Lay top "Y" log #7 across rear log and center logs. Log #1 and log #4 have cut-outs for log #7. *Figure 25*



**Figure 25**